

# 5.0 X\$D Ultra<sup>®</sup> Premium Efficient Explosion Proof Motors



## 5.1 X\$D Ultra<sup>®</sup> XP

5.1 Standard Features

5.2 Pricing

5.3 Dimensions



# X\$D Ultra®

## NEMA Premium Extra Severe Duty Motors

TEFC

143-449 Frame

0.75-300 HP

230/460V, 460V, 575V

60 Hz

## Expect more from your motor

The GE X\$D Ultra® meets the demands of your application with efficient, long-lasting and reliable performance. Built to the highest industry standards, it will exceed your expectations for years to come—you can count on GE.

### Key Features

#### Efficiency

- NEMA Premium Efficiency

#### Reliability

- Inverter duty capability
- GEGARD2400™ insulation system
- Six Star Bearing System™
- Low vibration / provisions for monitoring
- Low Class B temperature rise
- Cast iron construction
- 5 Year Warranty

#### Safety

- 4-point Cast-in lifting lugs
- Extended grease fittings

a product of  
**ecomagination**



**X\$D Ultra® XP**  
*Premium Efficient Explosion Proof*

*Standard Features*

Div 1, Class I, Group D; Class II, Groups F and G



<b>HP Rating</b>	1.5-30
<b>Poles</b>	2, 4, 6
<b>Voltage</b>	230/460, 575
<b>Agency Approvals</b>	UL-Component and Insulation System Recognition, UL-674 CSA-Motors and C-390
<b>Altitude</b>	Up to 3300 ft at 40°C
<b>Ambient</b>	40°C
<b>Balance/Vibration</b>	0.040 in/sec (P)
<b>Bearing Caps</b>	Yes
<b>Bearing Type</b>	Ball
<b>Conduit Box</b>	Cast Iron, ASTM A48, Class 25
<b>Drains</b>	None
<b>Efficiency</b>	Meets or exceeds NEMA Premium
<b>End Shield</b>	Cast Iron, ASTM A48, Class 25
<b>Fan</b>	Polypropylene Non-Sparking
<b>Fan Cover</b>	Cast Iron - ASTM A48
<b>Fasteners</b>	SAE Grade 5
<b>Frame Material</b>	Finned Cast Iron, ASTM A48, Class 25
<b>Frame Size</b>	182-286
<b>Frequency</b>	60 Hz
<b>Grease</b>	Polyurea
<b>Ground</b>	Inside Conduit Box
<b>Insulation Class</b>	F
<b>Insulation System</b>	GEGARD2400™ 143-286 frames. Non-Hygroscopic, Anti-Fungus, 2400Volt @ .1microsecond rise time. Exceeds NEMA MG1-31
<b>L10 Bearing Life</b>	Direct Coupled: 65,000 hrs, Belted: 25,000 hrs
<b>Lifting Means</b>	Lifting Lugs Cast Into Frame
<b>Mounting</b>	F1
<b>Mounting Holes</b>	Dual Mounting holes
<b>Nameplate</b>	316 Stainless Steel
<b>NEMA Design</b>	B
<b>Paint</b>	Buff, Epoxy ester
<b>Relubrication</b>	Both ends, extended through fan cover
<b>Rotor</b>	Cast Aluminum
<b>Service Factor</b>	1.00
<b>Temperature Rise</b>	105°C Max (UL Limit), at rated load
<b>Tests</b>	NEMA Routine, IEEE 112 Method B
<b>Thermal Protection</b>	1 NC thermostat
<b>Time Rating</b>	Continuous
<b>Warranty</b>	60 months from date of installation or 66 months from date of manufacture, whichever occurs first

**X\$D Ultra® XP**  
Premium Efficient Explosion Proof

Pricing

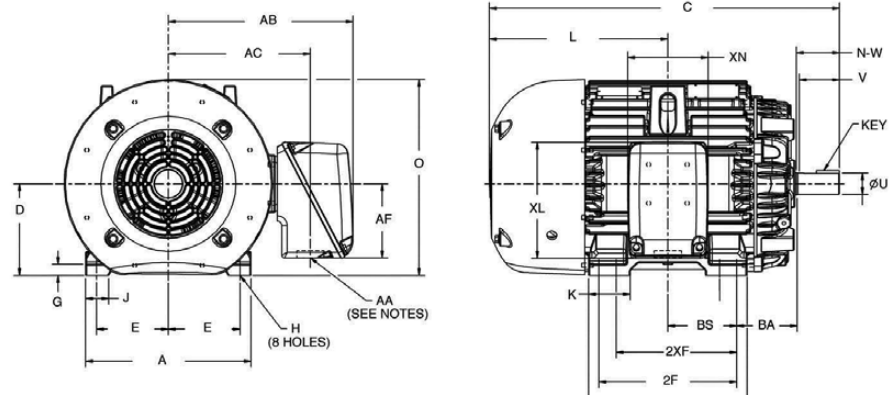


Base Mounted-Class I, Group D; Class II, Groups F and G  
Volts: 230/460, 575  
HP: 1.5 – 30

HP	RPM	Volts	NEMA Frame	SF	FLA	Nom. Eff.	Guar. Min. Eff.	Cat. No.	List Price	Price Symbol	Norm. Stk.	Wt. (lbs)	C Dim. (in)	Notes
1.5	1200	230/460	182T	1.0	4.8/2.4	87.5	86.5	E9601	\$1,043	G6-7XP\$	N	76	15.90	
1.5	1200	575	182T	1.0	1.9	87.5	86.5	E9602	\$1,043	G6-7XP\$	N	76	15.90	
2	1200	230/460	184T	1.0	6.4/3.2	88.5	86.5	E9603	\$1,164	G6-7XP\$	N	101	15.90	
2	1200	575	184T	1.0	2.6	88.5	86.5	E9604	\$1,164	G6-7XP\$	N	101	15.90	
3	3600	230/460	182T	1.0	8.0/4.0	87.5	86.5	E9605	\$1,035	G6-7XP\$	N	76	15.90	
3	3600	575	182T	1.0	3.1	87.5	86.5	E9606	\$1,035	G6-7XP\$	N	76	15.90	
3	1800	230/460	182T	1.0	7.8/3.9	89.5	88.5	E9607	\$1,007	G6-7XP\$	Y	76	15.90	
3	1800	575	182T	1.0	3.2	89.5	88.5	E9608	\$1,007	G6-7XP\$	N	76	15.90	
3	1200	230/460	213T	1.0	8.8/4.4	89.5	88.5	E9678	\$1,415	G6-7XP\$	N	200	20.20	
3	1200	575	213T	1.0	3.5	89.5	88.5	E9610	\$1,415	G6-7XP\$	N	200	20.20	
5	3600	230/460	184T	1.0	14.4/7.2	88.5	87.5	E9611	\$1,229	G6-7XP\$	Y	101	15.90	
5	3600	575	184T	1.0	5.7	88.5	87.5	E9612	\$1,229	G6-7XP\$	N	101	15.90	
5	1800	230/460	184T	1.0	13.2/6.6	89.5	88.5	E9613	\$1,181	G6-7XP\$	Y	101	15.90	
5	1800	575	184T	1.0	5.3	89.5	88.5	E9614	\$1,181	G6-7XP\$	N	101	15.90	
5	1200	230/460	215T	1.0	14.4/7.2	89.5	88.5	E9679	\$2,010	G6-7XP\$	N	220	20.20	
5	1200	575	215T	1.0	5.7	89.5	88.5	E9616	\$2,010	G6-7XP\$	N	220	20.20	
7.5	3600	230/460	213T	1.0	17.2/8.6	91.0	90.2	E9661	\$1,605	G6-7XP\$	Y	200	20.20	
7.5	3600	575	213T	1.0	6.9	91.0	90.2	E9617	\$1,605	G6-7XP\$	N	200	20.20	
7.5	1800	230/460	213T	1.0	18.0/9.0	91.7	91.0	E9669	\$1,595	G6-7XP\$	Y	200	20.20	
7.5	1800	575	213T	1.0	7.2	91.7	91.0	E9618	\$1,595	G6-7XP\$	N	200	20.20	
7.5	1200	230/460	254T	1.0	20.2/10.1	91.7	91.0	E9680	\$2,553	G6-7XP\$	N	315	25.60	
7.5	1200	575	254T	1.0	8.0	91.7	91.0	E9619	\$2,553	G6-7XP\$	N	315	25.60	
10	3600	230/460	215T	1.0	22.4/11.2	91.0	90.2	E9662	\$1,881	G6-7XP\$	Y	220	20.20	
10	3600	575	215T	1.0	9.1	91.0	90.2	E9620	\$1,881	G6-7XP\$	N	220	20.20	
10	1800	230/460	215T	1.0	24.0/12.0	91.7	90.2	E9671	\$1,779	G6-7XP\$	Y	220	20.20	
10	1800	575	215T	1.0	9.5	91.7	90.2	E9621	\$1,779	G6-7XP\$	N	220	20.20	
10	1200	230/460	256T	1.0	26.2/13.1	91.0	90.2	E9686	\$3,132	G6-7XP\$	N	350	25.60	
10	1200	575	256T	1.0	10.5	91.0	90.2	E9622	\$3,132	G6-7XP\$	N	350	25.60	
15	3600	230/460	254T	1.0	35.2/17.6	91.7	91.0	E9663	\$2,468	G6-7XP\$	Y	315	25.59	
15	3600	575	254T	1.0	13.8	91.7	91.0	E9623	\$2,468	G6-7XP\$	N	315	25.60	
15	1800	230/460	254T	1.0	36.6/18.3	92.4	91.7	E9672	\$2,340	G6-7XP\$	Y	315	25.60	
15	1800	575	254T	1.0	14.6	92.4	91.7	E9624	\$2,340	G6-7XP\$	N	315	25.60	
15	1200	230/460	284T	1.0	36.8/18.4	91.7	91.0	E9682	\$4,167	G6-7XP\$	N	460	28.60	
15	1200	575	284T	1.0	14.7	91.7	91.0	E9625	\$4,167	G6-7XP\$	N	460	28.60	
20	3600	230/460	256T	1.0	45.2/22.6	91.0	90.2	E9664	\$2,972	G6-7XP\$	Y	350	25.60	
20	3600	575	256T	1.0	18.1	91.0	90.2	E9626	\$2,972	G6-7XP\$	N	350	25.60	
20	1800	230/460	256T	1.0	48.0/24.0	93.0	91.7	E9673	\$2,796	G6-7XP\$	Y	350	25.60	
20	1800	575	256T	1.0	19.2	93.0	91.7	E9627	\$2,796	G6-7XP\$	N	350	25.60	
20	1200	230/460	286T	1.0	48.4/24.2	91.7	91.0	E9683	\$5,087	G6-7XP\$	N	510	28.60	
20	1200	575	286T	1.0	19.4	91.7	91.0	E9628	\$5,087	G6-7XP\$	N	510	28.60	
25	3600	230/460	284TS	1.0	55.6/27.8	92.4	91.7	E9665	\$3,723	G6-7XP\$	N	460	27.20	
25	3600	575	284TS	1.0	22.4	92.4	91.7	E9629	\$3,723	G6-7XP\$	N	460	27.20	
25	1800	230/460	284T	1.0	57.8/28.9	93.6	92.4	E9674	\$3,567	G6-7XP\$	Y	460	28.60	
25	1800	575	284T	1.0	23.1	93.6	92.4	E9630	\$3,567	G6-7XP\$	N	460	28.60	
30	3600	230/460	286TS	1.0	67.2/33.6	92.4	91.7	E9666	\$4,377	G6-7XP\$	N	510	27.20	
30	3600	575	286TS	1.0	26.9	92.4	91.7	E9631	\$4,377	G6-7XP\$	N	510	27.20	
30	1800	230/460	286T	1.0	69.4/34.7	93.6	93.0	E9675	\$4,167	G6-7XP\$	Y	510	28.60	
30	1800	575	286T	1.0	27.8	93.6	93.0	E9632	\$4,167	G6-7XP\$	N	510	28.60	

**X\$D Ultra® XP**  
Premium Efficient Explosion Proof

Dimensions



Cast Iron Construction/Frames 143-286, Type KS, 3-Phase/Dimensions—For estimating only

Frame	Approx. Net Weight in lbs	Dimensions in Inches																				
		Shaft						Mounting <sup>(18)</sup>						A	B	C	D <sup>(3)</sup>	G	J	K	L	O
		Key			N-W	U <sup>(2)</sup>	V	E	H	BA	BS	2F	2XF									
		Width	Depth	Length																		
143T	43	0.187	0.187	1.38	2.25	0.875	2.12	2.75	0.39	2.25	2.25	5.0	4.00	6.88	5.88	13.42	3.50	0.40	1.39	2.32	6.42	7.25
145T	50	0.187	0.187	1.38	2.25	0.875	2.12	2.75	0.39	2.25	2.25	5.0	4.00	6.88	5.88	13.42	3.50	0.40	1.39	2.32	6.42	7.25
182T	76	0.250	0.250	1.75	2.75	1.125	2.50	3.75	0.46	2.75	2.75	5.5	4.50	8.68	6.64	15.91	4.50	0.46	1.54	2.58	7.66	9.25
184T	101	0.250	0.250	1.75	2.75	1.125	2.50	3.75	0.46	2.75	2.75	5.5	4.50	8.68	6.64	15.91	4.50	0.46	1.54	2.58	7.66	9.25
213T	200	0.312	0.312	2.38	3.38	1.375	3.12	4.25	0.46	3.50	3.50	7.0	5.50	9.60	8.00	20.15	5.25	0.57	1.47	3.12	9.77	10.43
215T	220	0.312	0.312	2.38	3.38	1.375	3.12	4.25	0.46	3.50	3.50	7.0	5.50	9.60	8.00	20.15	5.25	0.57	1.47	3.12	9.77	10.43
254T	315	0.375	0.375	2.38	4.00	1.625	3.76	5.00	0.58	4.25	5.00	10.0	8.25	11.20	11.30	25.29	6.25	0.65	1.52	3.93	12.34	12.50
256T	350	0.375	0.375	2.88	4.00	1.625	3.76	5.00	0.58	4.25	5.00	10.0	8.25	11.20	11.30	25.29	6.25	0.65	1.52	3.93	12.34	12.50
284TS	460	0.375	0.375	1.88	3.25	1.625	3.00	5.50	0.58	4.76	5.50	11.0	9.50	12.40	12.80	27.20	7.00	0.76	1.75	4.12	13.70	13.88
284T	460	0.500	0.500	3.25	4.62	1.875	4.38	5.50	0.58	4.76	5.50	11.0	9.50	12.40	12.80	28.58	7.00	0.76	1.75	4.12	13.70	13.88
286TS	510	3.750	3.750	1.88	3.25	1.625	3.00	5.50	0.58	4.76	5.50	11.0	9.50	12.40	12.80	27.20	7.00	0.76	1.75	4.12	13.70	13.88
286T	510	0.500	0.500	3.25	4.62	1.875	4.38	5.50	0.58	4.76	5.50	11.0	9.50	12.40	12.80	28.58	7.00	0.76	1.75	4.12	13.70	13.88

Notes:

- 1 Shaft diameters 1 1/2 inches and smaller will come within the limits of +0.000 inch, -0.0005 inch diameters 1 5/8 inches and larger +0.000 inch, -0.001 inch
- 2 Tolerance on "D" dimension for rigid base motors will be +0.000 inch, -0.060 inch. No tolerance has been est. for the "D" dimension of resilient mounted motors.
- 3
- 18 Motor feet have 2 holes per foot allowing NEMA F-1 or F-2 assembly while maintaining critical NEMA mounting dimensions.  
Providing mounting conditions permit, conduit box may be turned so that entrance can be made upward, downward, or from either side.  
Weights shown are approximate shipping weights and should be used for estimating only.

Conduit Box Dimensions

Frame	Nominal HP	Approx. Vol.	Dimensions in Inches					
			AA*	AB	AC	AF	XL	XN
143-145	2	32	0.75	6.62	5.12	2.50	4.30	5.40
182-184	5	32	0.75	7.82	6.32	2.50	4.30	5.40
213-215	10	55	1.00	9.50	7.42	3.50	5.78	4.16
254-256	20	140	1.25	11.68	9.12	4.59	7.37	5.37
284-286	30	140	1.50	12.44	9.88	4.59	7.37	5.37

\*A tapped NPT hole is provided for the conduit size listed in Column AA

