

7.0 Pump Motors

7.1 Value Line™ Vertical Hollow Shaft - Ball Style NRR

- 7.1 Standard Features
- 7.2 Pricing
- 7.4 Dimensions
- 7.5 Kits and Accessories



7.8 Vertical Solid Shaft Inline Pump

- 7.8 Standard Features
- 7.9 Pricing
- 7.10 Dimensions

7.11 Fire Pump - Open Dripproof

- 7.11 Standard Features
- 7.12 Pricing
- 7.13 Dimensions



ValueLine™

Vertical Hollow Shaft WPI NEW! Standard Efficient Motors

Available to order now!
Stock available May 2012!

Rugged and reliable, the ValueLine VHS WPI is the best choice for your critical pumping applications.

- 40-100 HP, 1800RPM, 230/460V
- Two Year Warranty
- Higher efficiency than most competitive standard efficient motors.
- Rugged Construction
 - High Thrust
 - Space Heater
 - Inverter Duty Insulation
 - Non-Reverse Ball Ratchet



Vertical
Value Line™ Vertical Hollow Shaft
Weather Protection I
Ball Style Non-Reverse Ratchet
Standard Features



Type	Standard Efficiency	High Efficiency
HP Range	40-100	5-500
Poles	4	2, 4, 6
Voltage	230/460	230/460, 460
Agency Approvals	UL - Component and Insulation System Recognition, CSA - Motors	UL - Component and Insulation System Recognition, CSA - Motors
Altitude	3300 ft	3300 ft
Ambient	40°C	40°C
Balance/Vibration	0.15 in/sec max	0.15 in/sec max
Bearing Caps	Yes	Yes
Bearing Protection	Shaft Slinger	Shaft Slinger
Bearing Type	High Thrust	High Thrust
Conduit Box	Cast Iron	Cast Iron
Coupling	Non-Reverse or Bolted	Non-Reverse or Bolted
Efficiency	Standard Efficiency	High Efficiency
End Shield	Cast Iron	Cast Iron
Fasteners	SAE	SAE
Finishing Varnish	Applied to stator windings for additional moisture protection.	Applied to stator windings for additional moisture protection.
Frame Material	Cast Iron	Cast Iron
Frame Size	324-404	213-449
Frequency	60 Hz (De-rated at 50 Hz and noted on the nameplate.)	60 Hz (De-rated at 50 Hz and noted on the nameplate.)
Grease/Oil	All Guide Bearings: Shell Alvania R3, 324-449; ISO 32, 150 SUS	All Guide and 213-286 Thrust Bearings: Shell Alvania R3, 324-449; Polyrex EM, 350-500HP Thrust Bearings: ISO 32, 150 SUS
Ground	Brass Bolt in Conduit Box	Brass Bolt in Conduit Box
Insulation Class	F	F
Insulation System	Non-Hygroscopic, Anti-Fungus, Meets NEMA MG1-31 for variable frequency drives.	Non-Hygroscopic, Anti-Fungus, Meets NEMA MG1-31 for variable frequency drives.
Inverter Capabilities	Variable Torque *20-60 Hz (see Inverter Duty Capabilities on page iv)	Variable Torque 0-60 Hz without non-reverse ratchet and *20-60 Hz with NRR (see Inverter Duty Capabilities on page iv)
Lifting Means	Yes	Yes
Mounting	Vertical P-Base	Vertical P-Base
Nameplate	Stainless Steel	Stainless Steel
NEMA Design	A or B	A or B
Non-Reverse Ratchet Type	Ball Style	Ball Style
Paint	Gray, Polyurethane	Gray, Polyurethane; Buff Epoxy ester for 350-500HP
Relubrication	Yes	Yes
Rotor	Cast Aluminum	Cast Aluminum
Service Factor	1.15	1.15
Space Heater	Standard on all 4 Pole ratings, 115 Volt, 60 Hz	Standard on all 4 Pole ratings, 115 Volt, 60 Hz
Temperature Rise	80°C @ 1.0 SF	80°C @ 1.0 SF
Tests	NEMA Routine, IEEE 112 Method B	NEMA Routine, IEEE 112 Method B
Time Rating	Continuous	Continuous
Top Hat	Steel	Steel
Warranty	24 months from date of purchase or 30 months from date of shipment, whichever occurs first	36 months from date of purchase or 42 months from date of shipment, whichever occurs first

7.1
 Value Line™ Pump Motor

Vertical
Value Line™ Vertical Hollow Shaft
Standard Efficiency
Weather Protection I
Ball Style Non-Reverse Ratchet

Pricing



Volts: 230/460
HP: 40-100

*Motor coupling is required and priced separately on page 7.5.

7.2

Value Line™ Pump Motor

HP	RPM	Volts	Frame	FLA	NEMA Code	Thrust Down	LRA	Nom. Eff.	Cat. No.	Motor List Price	Coupling List Price*	Price Symbol	Norm. Stk.	Wt. (lbs)	CD Dim. (in)	AG Dim. (in)	Notes
40	1800	230/460	L324TP16	104.6/52.3	G	5700	286.9	90.2	V3909	\$3,114	\$732	G5-7VHSB	Y	760	28.22	32.72	51, 111
50	1800	230/460	L326TP16	127.4/63.7	G	5650	359.1	91.7	V3920	\$3,827	\$732	G5-7VHSB	Y	760	28.22	32.72	51, 111
60	1800	230/460	L364TP16	167.2/83.6	G	8200	442.9	91.7	V3929	\$4,604	\$732	G5-7VHSB	Y	1102	31.16	35.95	51, 111
75	1800	230/460	L365TP16	195.0/97.5	G	8100	574.6	92.4	V3940	\$5,705	\$732	G5-7VHSB	Y	1102	31.16	35.95	51, 111
100	1800	230/460	L404TP16	228.0/114.0	G	11900	558.0	93.0	V3951	\$7,229	\$845	G5-7VHSB	Y	1590	36.94	42.05	51, 111

Notes:

PWS following the voltage denotes motor is Part Winding Start

51 Space Heater, 115V/60 Hz

111 Usable on 190/380 volts, 50 Hz at 1.0 Service Factor and derated to next lower HP

Vertical
Value Line™ Vertical Hollow Shaft
High Efficiency
Weather Protection I
Ball Style Non-Reverse Ratchet



Pricing

Volts: 230/460, 460
HP: 5-500

*Motor coupling is required and priced separately on page 7.5. V850, V851 and V852 motor coupling on page 7.6.

HP	RPM	Volts	Frame	FLA @ 460	NEMA Code	Thrust Down	LRA	Nom. Eff.	Cat. No.	Motor List Price	Coupling List Price*	Price Symbol	Norm. Stk	Wt. (lbs)	CD Dim. (in)	AG Dim. (in)	Notes
5	3600	230/460	L213TP10	6.2	J	1900	39	85.5	V3109	\$1,512	\$168	G5-7VHSB	Y	220	20.25	24.62	111
5	1800	230/460	L213TP10	6.4	J	2400	41	87.5	V3616	\$1,497	\$168	G5-7VHSB	Y	220	20.25	24.62	51, 111
7.5	3600	230/460	L213TP10	9.2	J	1900	70	87.5	V3108	\$1,629	\$168	G5-7VHSB	Y	220	20.25	24.62	6, 111
7.5	1800	230/460	L213TP10	9.5	H	2400	61	88.5	V3615	\$1,545	\$168	G5-7VHSB	Y	220	20.25	24.62	51, 111
10	3600	230/460	L213TP10	12.5	J	1900	92	88.5	V3107	\$1,761	\$168	G5-7VHSB	Y	220	20.25	24.62	6, 111
10	1800	230/460	L215TP10	12.3	H	2350	76	89.5	V3643	\$1,761	\$168	G5-7VHSB	Y	220	20.25	24.62	51, 111
10	1200	230/460	L256TP12	13.1	H	3750	83	90.2	V3178	\$2,655	\$180	G5-7VHSB	Y	370	23.38	27.85	6, 111
15	3600	230/460	L215TP10	18.3	H	1850	127	89.5	V3139	\$2,070	\$168	G5-7VHSB	Y	220	20.25	24.62	6, 111
15	1800	230/460	L254TP10	18.6	G	3250	111	91.0	V3658	\$2,129	\$176	G5-7VHSB	Y	340	23.38	27.85	51, 111
15	1800	230/460	L254TP16	18.6	G	3250	111	91.0	V3660	\$2,129	\$176	G5-7VHSB	Y	340	23.38	27.85	51,111
15	1200	230/460	L284TP12	18.8	H	3700	124	90.2	V3191	\$2,901	\$180	G5-7VHSB	Y	507	24.75	29.25	6, 111
20	3600	230/460	L254TP10	22.7	G	2600	131	90.2	V3157	\$2,273	\$176	G5-7VHSB	Y	340	23.38	27.85	111
20	1800	230/460	L256TP12	24.6	G	3250	136	91.0	V3674	\$2,513	\$176	G5-7VHSB	Y	370	23.38	27.85	51, 111
20	1800	230/460	L256TP16	24.6	G	3250	136	91.0	V3676	\$2,513	\$176	G5-7VHSB	Y	370	23.68	27.85	51,111
25	3600	230/460	L256TP12	27.8	G	2600	179	91.0	V3171	\$2,601	\$176	G5-7VHSB	Y	370	23.38	27.85	111
25	1800	230/460	L284TP12	30.6	G	3200	148	91.7	V3689	\$2,793	\$180	G5-7VHSB	Y	507	24.75	29.25	51, 111
25	1800	230/460	L284TP16	30.6	G	3200	148	91.7	V3690	\$2,793	\$180	G5-7VHSB	Y	507	24.75	29.25	51, 111
30	3600	230/460	L284TP12	34.5	G	2600	187	91.0	V3188	\$2,655	\$180	G5-7VHSB	Y	507	24.75	29.25	111
30	1800	230/460	L286TP12	36.2	G	3150	179	92.4	V3698	\$3,149	\$180	G5-7VHSB	Y	507	24.75	29.25	51, 111
30	1800	230/460	L286TP16	36.2	G	3150	179	92.4	V3699	\$3,149	\$180	G5-7VHSB	Y	507	24.75	29.25	51, 111
30	1200	230/460	L326TP16	37.3	G	6550	218	92.4	V3423	\$4,178	\$732	G5-7VHSB	Y	855	28.22	32.72	111
40	3600	230/460	L286TP12	45.9	G	2500	238	91.7	V3197	\$3,525	\$180	G5-7VHSB	Y	507	24.75	29.25	111
40	1800	230/460	L324TP12	47.4	G	5700	297	93.0	V3611	\$3,348	\$732	G5-7VHSB	Y	760	28.22	32.72	6, 51, 111
40	1800	230/460	L324TP16	47.4	G	5700	297	93.0	V3609	\$3,348	\$732	G5-7VHSB	Y	760	28.22	32.72	6, 51, 111
40	1800	460 PWS	L324TP16	47.4	G	5700	297	93.0	V3610	\$3,348	\$732	G5-7VHSB	Y	760	28.22	32.72	6, 51, 110
40	1200	230/460	L364TP16	42.1	G	9450	304	93.0	V3435	\$5,232	\$732	G5-7VHSB	Y	1102	31.16	35.95	6, 111
50	3600	230/460	L324TP12	56.9	H	4550	414	92.4	V3407	\$4,088	\$732	G5-7VHSB	Y	790	28.22	32.72	6, 111
50	3600	230/460	L324TP16	56.9	H	4550	414	92.4	V3450	\$4,088	\$732	G5-7VHSB	N	760	28.22	32.72	6, 111
50	1800	230/460	L326TP12	59.6	G	5650	376	93.0	V3622	\$4,115	\$732	G5-7VHSB	Y	760	28.22	32.72	6, 51, 111
50	1800	230/460	L326TP16	59.6	G	5650	376	93.0	V3620	\$4,115	\$732	G5-7VHSB	Y	760	28.22	32.72	6, 51, 111
50	1800	460 PWS	L326TP16	59.6	G	5650	376	93.0	V3621	\$4,115	\$732	G5-7VHSB	Y	760	28.22	32.72	6, 51, 111
60	3600	460 PWS	L326TP16	75.0	H	4500	520	92.4	V3551	\$4,769	\$732	G5-7VHSB	Y	760	28.22	32.72	6, 110
60	1800	230/460	L364TP16	72.7	G	8200	459	93.6	V3629	\$4,950	\$732	G5-7VHSB	Y	1102	31.16	35.95	51,110
60	1800	460 PWS	L364TP16	72.7	G	8200	459	93.6	V3630	\$4,950	\$732	G5-7VHSB	Y	1102	31.16	35.95	51,110
60	1200	460 PWS	L404TP16	70.8	G	13850	454	93.6	V3553	\$7,187	\$845	G5-7VHSB	Y	1590	36.94	42.05	6, 110
75	3600	460 PWS	L364TP16	83.4	G	6500	540	93.0	V3428	\$5,993	\$732	G5-7VHSB	Y	1102	31.16	35.95	110
75	1800	230/460	L365TP16	89.3	G	8100	561	94.1	V3640	\$6,135	\$732	G5-7VHSB	Y	1102	31.16	35.95	6, 51, 111
75	1800	460 PWS	L365TP16	89.3	G	8100	561	94.1	V3641	\$6,135	\$732	G5-7VHSB	Y	1102	31.16	35.95	6, 51, 110
75	1200	460 PWS	L405TP16	88.3	G	13750	572	93.6	V3555	\$8,600	\$845	G5-7VHSB	Y	1590	36.94	42.05	6, 110
100	1800	230/460	L404TP16	128.0	G	11900	583	94.1	V3651	\$7,773	\$845	G5-7VHSB	Y	1590	36.94	42.05	51, 111
100	1800	460 PWS	L404TP16	128.0	G	11900	583	94.1	V3653	\$7,773	\$845	G5-7VHSB	Y	1590	36.94	42.05	51, 110
100	1200	460 PWS	L444TP16	123.0	G	13600	743	94.1	V3468	\$11,709	\$900	G5-7VHSB	N	2075	44.80	50.11	6, 110
125	1800	460 PWS	L405TP16	162.0	G	11700	878	94.5	V3656	\$9,600	\$845	G5-7VHSB	Y	1590	36.94	42.05	51, 110
150	1800	460 PWS	L444TP16	167.0	G	11700	1035	95.0	V3664	\$11,100	\$900	G5-7VHSB	Y	2075	44.80	50.11	51, 110
150	1800	460 PWS	L444TP20	167.0	G	11700	1035	95.0	V3666	\$11,100	\$900	G5-7VHSB	Y	2075	44.80	50.11	51, 110
200	1800	460 PWS	L445TP16	232.0	G	11500	1576	95.0	V3670	\$15,003	\$900	G5-7VHSB	Y	2260	44.80	50.11	6, 51, 110
200	1800	460 PWS	L445TP20	232.0	G	11500	1576	95.0	V3683	\$15,003	\$900	G5-7VHSB	Y	2260	44.80	50.11	6, 51, 110
250	1800	460 PWS	L447TP20	298.0	J	14100	2266	95.4	V3678	\$18,069	\$1,125	G5-7VHSB	Y	3000	44.80	50.00	6, 51, 110
300	1800	460 PWS	L449TP20	362.0	J	13800	2695	95.4	V3679	\$21,509	\$1,125	G5-7VHSB	Y	3500	49.78	55.02	6, 51, 110
350	1800	460 PWS	L449TP20	386.0	G	13345	2386	95.4	V850	\$27,759	\$1,125	G6-7VHS	Y	2170	55.80	61.94	51, 110, 112
400	1800	460 PWS	L449TP20	441.0	G	13345	2758	95.4	V851	\$31,533	\$1,125	G6-7VHS	Y	2200	55.80	61.94	51, 110, 112
500	1800	460 PWS	L509TP24	553.0	G	14800	3285	95.0	V852	\$41,106	\$1,650	G6-7VHS	Y	3570	59.90	66.32	51, 110, 112

Notes:

PWS following the voltage denotes motor is Part Winding Start

6 NEMA Design A

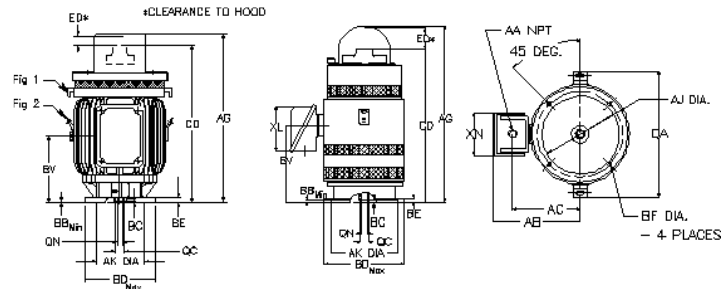
51 Space Heater, 115V/60 Hz

110 Usable on 380 volts, 50 Hz at 1.0 Service Factor and derated to next lower HP

111 Usable on 190/380 volts, 50 Hz at 1.0 Service Factor and derated to next lower HP

112 350HP-500 HP ratings are Premium Efficient, Type KS motors with Buff color Epoxy ester paint and include winding thermostats.

Vertical
Value Line™ Vertical Hollow Shaft
Weather Protection I
Ball Style Non-Reverse Ratchet
 Dimensions



Motor Dimensions (dimensions in inches)

Frame Size	AG	AJ	AK	BB	BC	BD	BE	BF	BV	CD	ED	QA	QC	QN	Notes
L213TP10/L215TP10	24.62	9.13	8.25	0.22	0.25	10.0	0.75	0.44	8.14	20.25	4.35	14.17	1.125	1.000	
L213TP12/L215TP12	24.62	9.13	8.25	0.22	0.12	12.0	0.75	0.44	8.14	20.25	4.35	14.17	1.375	1.250	
L254TP10/L256TP10	27.85	9.13	8.25	0.22	0.12	10.0	0.98	0.44	9.41	23.38	4.50	17.72	1.375	1.250	
L254TP12/L256TP12	27.85	9.13	8.25	0.22	0.12	12.0	0.98	0.44	9.41	23.38	4.50	17.72	1.375	1.250	
L254TP16/L256TP16	27.85	14.75	13.50	0.22	0.12	16.5	0.98	0.69	9.41	23.38	4.50	17.72	1.375	1.250	
L284TP10/L286TP10	29.25	9.13	8.25	0.22	0.31	10.0	0.98	0.44	10.19	24.75	4.50	20.71	1.375	1.250	
L284TP12/L286TP12	29.25	9.13	8.25	0.22	0.31	12.0	0.98	0.44	10.19	24.75	4.50	20.71	1.375	1.250	
L284TP16/L286TP16	29.25	9.13	13.50	0.22	0.31	16.5	0.98	0.69	10.19	24.75	4.50	20.71	1.375	1.250	
L324TP12/L326TP12	32.73	9.13	8.25	0.28	0.25	12.0	0.98	0.44	13.44	28.22	4.40	22.36	1.875	1.750	
L324TP16/L326TP16	32.73	14.75	13.50	0.28	0.25	16.5	0.98	0.69	13.44	28.22	4.40	22.36	1.875	1.750	
L364TP12/L365TP12	35.95	9.13	8.25	0.28	0.25	12.0	0.98	0.44	16.12	31.16	4.52	24.80	1.875	1.750	
L364TP16/L365TP16	35.95	14.75	13.50	0.28	0.25	16.5	0.98	0.69	16.12	31.16	4.52	24.80	1.875	1.750	
L404TP16/L405TP16	42.05	14.75	13.50	0.28	0.25	16.5	0.98	0.69	15.68	36.94	4.40	27.87	2.000	1.938	
L404TP20/L405TP20	42.05	14.75	13.50	0.28	0.25	20.0	0.98	0.69	15.68	36.94	4.40	27.87	2.000	1.938	
L444TP16/L445TP16	50.11	14.75	13.50	0.28	0.28	16.5	1.16	0.69	21.83	44.78	4.40	31.40	2.000	1.938	
L444TP20/L445TP20	50.11	14.75	13.50	0.28	0.28	20.5	1.16	0.69	21.83	44.78	4.40	31.40	2.000	1.938	
L444TP24/L445TP24	50.11	14.75	13.50	0.28	0.28	24.0	1.16	0.69	21.83	44.78	4.40	31.40	2.000	1.938	
L447TP20	50.00	14.75	13.50	0.28	0.28	20.0	1.16	0.69	27.80	44.78	5.18	31.40	2.625	2.560	
L449TP20*	55.00	14.75	13.50	0.28	0.28	20.0	1.16	0.69	27.80	49.75	5.18	31.40	2.625	2.560	
L449TP20**	61.94	14.75	13.50	0.25	0.25	20.0	1.00	0.69	21.75	55.80	4.38	31.44	-	-	113
L509TP24	66.32	14.75	13.50	0.25	0.25	24.5	1.40	0.69	23.50	59.90	4.88	28.60	-	-	114

Conduit Box Dimensions (dimensions in inches)

Frame Size	AA	AB	AC	XL	XN	Notes
L213TP10/L215TP10	1.0	9.30	7.20	6.80	2.60	
L254TP10/L256TP10	1.5	10.97	8.46	7.76	5.67	
L254TP12/L256TP12	1.5	10.97	8.46	7.76	5.67	
L284TP12/L286TP12	1.5	14.60	10.83	9.20	8.11	
L284TP16/L286TP16	1.5	14.60	10.83	9.20	8.11	
L324TP12/L326TP12	1.5	14.68	11.85	8.38	8.11	
L324TP16/L326TP16	1.5	14.68	11.85	8.38	8.11	
L364TP12/L365TP12	2.5	15.78	12.91	8.38	8.11	
L364TP16/L365TP16	2.5	15.78	12.91	8.38	8.11	
L404TP16/L405TP16	2.5	20.90	16.06	15.75	10.55	
L444TP16/L445TP16	2.5	21.65	16.81	16.62	11.26	
L444TP20/L445TP20	2.5	21.65	16.81	16.62	11.26	
L447TP20	3.5	21.65	16.81	16.62	11.26	
L449TP20*	3.5	21.65	16.81	16.62	11.26	
L449TP20**	Qty 2 of 4"-8	21.57	16.68	12.39	17.00	113
L509TP24	Qty 2 of 4"-8	31.87	26.48	23.84	13.00	114

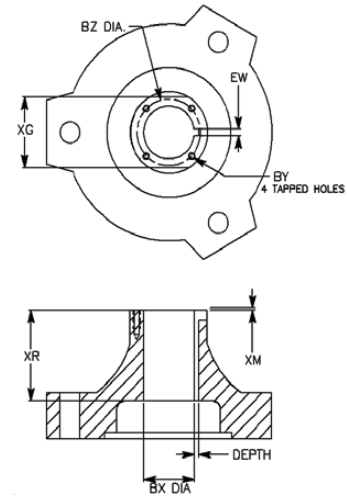
Notes:

- 113 Dimensions in this row apply to the 250HP and 300HP ratings only
 - 114 Dimensions in this row apply to the 350HP and 400HP ratings only
- Weights and dimensions are for estimating only.

Vertical
Value Line™ Vertical Hollow Shaft
Weather Protection I
Ball Style Non-Reverse Ratchet
Kits and Accessories

5 to 300HP Coupling (Specify size of coupling with order)

Frame Size	Cat. No.	List Price	Price Symbol	Norm. Stk.	Dimensions in Inches											
					BX	Depth	EW	XG	BY	BZ	XM	XR				
210TP	Y8454	\$168	G5-7KITS	Y	1.001	0.140	0.250	1.75	10-32 UNF	1.375	0.39	1.65				
	Y8513	\$168	G5-7KITS	Y	Blank coupling must be machined to proper dimensions											
250TP	Y8457	\$176	G5-7KITS	Y	1.001	0.140	0.250	1.75	10-32 UNF	1.375	0.39	1.65				
	Y8458	\$176	G5-7KITS	Y	1.188	0.140	0.250		1/4 -20 UNC	1.750						
	Y8459	\$176	G5-7KITS	Y	1.251	0.140	0.250	Blank coupling must be machined to proper dimensions								
	Y8514	\$176	G5-7KITS	Y	Blank coupling must be machined to proper dimensions											
280TP	Y8462	\$180	G5-7KITS	Y	1.001	0.140	0.250	1.75	10-32 UNF	1.375	0.39	1.85				
	Y8463	\$180	G5-7KITS	Y	1.188	0.140	0.250		1/4 -20 UNC	1.750						
	Y8464	\$180	G5-7KITS	Y	1.251	0.140	0.250	Blank coupling must be machined to proper dimensions								
	Y8515	\$180	G5-7KITS	Y	Blank coupling must be machined to proper dimensions											
320TP 360TP	Y8520	\$732	G5-7KITS	Y	1.001	0.140	0.250	N/A	10-32 UNF	1.375	0.47	1.61				
	Y8521	\$732	G5-7KITS	Y	1.188	0.140	0.250		1/4 -20 UNC	1.750						
	Y8522	\$732	G5-7KITS	Y	1.251	0.140	0.250		Blank coupling must be machined to proper dimensions							
	Y8523	\$732	G5-7KITS	Y	1.251	0.140	0.375		Blank coupling must be machined to proper dimensions							
	Y8524	\$732	G5-7KITS	Y	1.438	0.140	0.375		Blank coupling must be machined to proper dimensions							
	Y8525	\$732	G5-7KITS	Y	1.501	0.140	0.375	Blank coupling must be machined to proper dimensions								
400TP	Y8527	\$845	G5-7KITS	Y	1.188	0.140	0.250	N/A	1/4 -20 UNC	1.750	0.63	2.43				
	Y8528	\$845	G5-7KITS	Y	1.251	0.140	0.375			2.120						
	Y8529	\$845	G5-7KITS	Y	1.438	0.140	0.375			2.500						
	Y8530	\$845	G5-7KITS	Y	1.501	0.140	0.375			Blank coupling must be machined to proper dimensions						
	Y8531	\$845	G5-7KITS	Y	1.688	0.203	0.375			Blank coupling must be machined to proper dimensions						
	Y8532	\$845	G5-7KITS	N	1.751	0.203	0.375			Blank coupling must be machined to proper dimensions						
	Y8533	\$845	G5-7KITS	Y	Blank coupling must be machined to proper dimensions											
440TP	Y8534	\$900	G5-7KITS	N	1.188	0.140	0.250	N/A	1/4 -20 UNC	1.750	0.63	2.22				
	Y8537	\$900	G5-7KITS	Y	1.501	0.140	0.375			2.120						
	Y8538	\$900	G5-7KITS	Y	1.688	0.203	0.375			2.500						
	Y8539	\$900	G5-7KITS	Y	1.751	0.203	0.375			Blank coupling must be machined to proper dimensions						
	Y8540	\$900	G5-7KITS	N	1.938	0.203	0.375			Blank coupling must be machined to proper dimensions						
	Y8541	\$900	G5-7KITS	Y	Blank coupling must be machined to proper dimensions											
447TP 449TP	Y8563	\$1,125	G5-7KITS	Y	1.501	0.168	0.375	N/A	1/4 -20 UNC	2.125	0.55	2.22				
	Y8564	\$1,125	G5-7KITS	Y	1.688	0.171	0.375			2.500						
	Y8566	\$1,125	G5-7KITS	Y	1.938	0.222	0.500			Blank coupling must be machined to proper dimensions						
	Y8570	\$1,125	G5-7KITS	Y	2.188	0.226	0.500			3/8 -16 UNC			3.250	0.67		
	Y8571	\$1,125	G5-7KITS	Y	2.251		0.500			Blank coupling must be machined to proper dimensions						
	Y8575	\$1,125	G5-7KITS	Y	Blank coupling must be machined to proper dimensions											



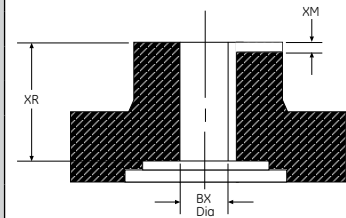
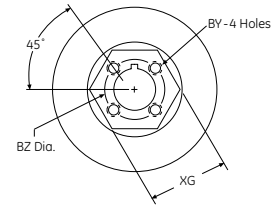
7.5
 Value Line™ Pump Motor

(Table continued on next page)

Vertical
Value Line™ Vertical Hollow Shaft
Weather Protection I
Pin Style Non-Reverse Ratchet
Kits and Accessories (cont.)

350HP, 400HP and 500HP Coupling Kits for Catalog Numbers V850, V851 and V852

Frame Size	Cat. No.	Non-Reverse Ratchet Assembly				Dimensions in Inches							
		Part Number	List Price	Price Symbol	Norm. Stk.	BX	Depth	EW	XG	BY	BZ	XM	XR
L449TP	Y8440	192B9950BL-G13	\$1,125	G6-7KITS	Y	1.501	0.180	0.375	4.75	1/4-UNC	2.13	0.562	5.25
	Y8435	192B9950BL-G12	\$1,125	G6-7KITS	Y	1.688							
	Y8439	192B9950BL-G11	\$1,125	G6-7KITS	N	1.751							
	Y8441	192B9950BL-G10	\$1,125	G6-7KITS	N	1.813	0.230	0.500	4.75	1/4-UNC	2.50		
	Y8442	192B9950BL-G09	\$1,125	G6-7KITS	Y	1.938							
	Y8444	192B9950BL-G08	\$1,125	G6-7KITS	N	2.001	0.235	0.500	4.75	3/8-UNC	0.688		
	Y8446	192B9950BL-G07	\$1,125	G6-7KITS	N	2.063							
	Y8447	192B9950BL-G06	\$1,125	G6-7KITS	N	2.126							
	Y8448	192B9950BL-G05	\$1,125	G6-7KITS	Y	2.188	0.285	0.625	5.62	3/8-UNC	3.25		
	Y8451	192B9950BL-G04	\$1,125	G6-7KITS	N	2.251							
	Y8453	192B9950BL-G03	\$1,125	G6-7KITS	N	2.376	0.290	0.625	5.62	3/8-UNC	0.812		
	Y8455	192B9950BL-G02	\$1,125	G6-7KITS	N	2.438							
Y8460	192B9950BL-G01	\$1,125	G6-7KITS	N	2.501	0.250	0.625	5.62	3/8-UNC	0.812	5.25		
L509TP	Y8432	192B9950BN-G12	\$1,425	G6-7KITS	N	1.501	0.180	0.375	5.62	1/4-UNC	2.125	0.562	5.25
	Y8436	192B9950BN-G11	\$1,425	G6-7KITS	N	1.688							
	Y8467	192B9950BN-G10	\$1,425	G6-7KITS	N	1.751							
	Y8443	192B9950BN-G09	\$1,425	G6-7KITS	N	1.813	0.230	0.500	5.62	1/4-UNC	2.50		
	Y8445	192B9950BN-G08	\$1,425	G6-7KITS	Y	1.938							
	Y8449	192B9950BN-G07	\$1,425	G6-7KITS	N	2.001	0.235	0.500	5.62	3/8-UNC	0.688		
	Y8450	192B9950BN-G06	\$1,425	G6-7KITS	Y	2.188							
	Y8452	192B9950BN-G05	\$1,425	G6-7KITS	N	2.251							
	Y8456	192B9950BN-G04	\$1,425	G6-7KITS	N	2.438	0.290	0.625	5.62	3/8-UNC	3.25		
	Y8461	192B9950BN-G03	\$1,425	G6-7KITS	N	2.501							
	Y8465	192B9950BN-G02	\$1,425	G6-7KITS	N	2.688	0.290	0.625	5.62	3/8-UNC	0.812		
Y8466	192B9950BN-G01	\$1,425	G6-7KITS	N	2.751								



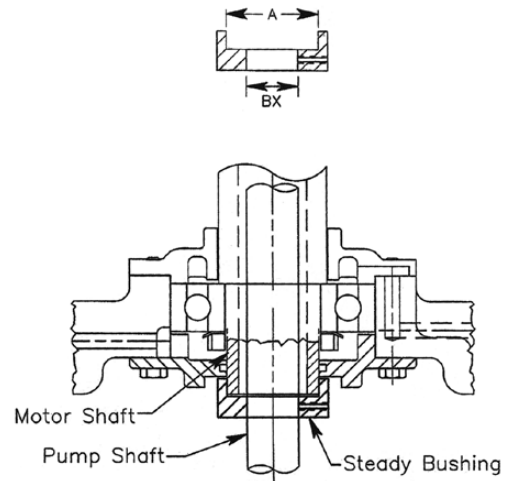
Vertical
Value Line™ Vertical Hollow Shaft
Weather Protection I
Ball Style Non-Reverse Ratchet
Kits and Accessories (cont.)

Optional Stabilizer/Steady Bushing

Frame Size	Cat. No.	List Price	Price Symbol	Dim. in Inches		Norm. Stk.
				A	BX	
210TP/250TP	Y8284	\$110	G5-7KITS	1.76	1.001	Y
280TP	Y8292	\$107	G5-7KITS	2.17	1.001	Y
	Y8291	\$107	G5-7KITS	2.17	1.188	Y
	Y8290	\$107	G5-7KITS	2.17	1.251	Y
320TP	Y8301	\$135	G5-7KITS	2.36	1.001	Y
	Y8298	\$135	G5-7KITS	2.36	1.188	Y
	Y8297	\$135	G5-7KITS	2.36	1.251	Y
	Y8296	\$135	G5-7KITS	2.36	1.438	Y
	Y8295	\$135	G5-7KITS	2.36	1.501	Y
360TP	Y8307	\$135	G5-7KITS	2.56	1.001	Y
	Y8305	\$135	G5-7KITS	2.56	1.188	Y
	Y8304	\$135	G5-7KITS	2.56	1.251	Y
	Y8303	\$135	G5-7KITS	2.56	1.438	Y
	Y8302	\$135	G5-7KITS	2.56	1.501	Y
400TP/440TP	Y8360	\$141	G5-7KITS	2.64	1.188	Y
	Y8312	\$141	G5-7KITS	2.64	1.251	Y
	Y8311	\$141	G5-7KITS	2.64	1.438	Y
	Y8310	\$141	G5-7KITS	2.64	1.501	Y
	Y8309	\$141	G5-7KITS	2.64	1.688	Y
	Y8308	\$141	G5-7KITS	2.64	1.751	Y
447TP/449TP (250HP and 300HP only)	Y8384	\$236	G5-7KITS	3.43	1.501	Y
	Y8385	\$236	G5-7KITS	3.43	1.688	Y
	Y8387	\$236	G5-7KITS	3.43	1.938	Y
	Y8391	\$236	G5-7KITS	3.43	2.188	Y
	Y8392	\$236	G5-7KITS	3.43	2.251	Y

Notes:

Contact GE Motors for coupling part numbers for the 350HP, 400HP and 500HP ratings only.



Vertical
Solid Shaft Inline Pump
TEFC- Severe Duty

Standard Features



7.8

Vertical Inline

HP Range	3-40
Poles	2, 4
Voltage	230/460
Agency Approvals	UL - Component and Insulation System Recognition, CSA - Motors
Altitude	3300 ft
Ambient	40°C
Balance/Vibration	0.15 in/sec max
Bearing Caps	Yes
Bearing Protection	Shaft Slinger
Bearing Type	Guide Bearing: Deep Groove Ball Bearing; Thrust Bearing: Double Row Angular Contact Ball Bearing
Conduit Box	Cast Iron
Coupling	Not available on this product construction
Efficiency	Premium - EPAct +
End Shield	Cast Iron
Fasteners	SAE
Frame Material	Cast Iron
Frame Size	L182LP10-L324LP16
Frequency	60 Hz (De-rated at 50 Hz and noted on the nameplate)
Grease/Oil	All Guide and 213-286 Thrust Bearings: Polyurea, 324-326 Thrust Bearings: Oil
Ground	Brass Bolt in Conduit Box
Insulation Class	F
Insulation System	Non-Hygroscopic, Anti-Fungus, Meets NEMA MG1-31 for variable frequency drives
Inverter Capabilities	INF:1 Variable torque
L10 Bearing Life	8760 hrs
Lifting Means	Yes
Mounting	Vertical P-Base
Mounting Holes	Per NEMA
Nameplate	Stainless Steel
NEMA Design	B
Paint	Buff, Epoxy ester
Relubrication	Yes
Rotor	Cast Aluminum
Service Factor	1.15
Temperature Rise	80°C @ 1.0 SF
Tests	NEMA Routine, IEEE 112 Method B
Time Rating	Continuous
Top Hat	Steel
Warranty	12 months from date of installation or 18 months from date of manufacture, whichever occurs first

Vertical
Solid Shaft Inline Pump
TEFC- Severe Duty

Pricing



Three Phase - Totally Enclosed Fan Cooled - Severe Duty - Inline Pump

Volts: 230/460
 HP: 3-40

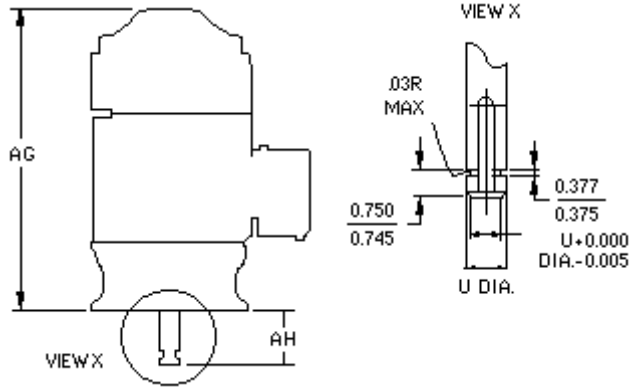
HP	RPM	Volts	NEMA Frame	SF	FLA @ NP	Nom. Eff.	Cat. No.	List Price	Multiplier Symbol	Norm. Stk.	Wt. (lbs)	Down Thrust (lbs)	C Dim. (In.)	Notes
3	3600	230/460	L182LP10	1.15	7.8/3.9	87.5	V824	\$2,058	G6-7VIL	N	76	1014	18.18	CI
3	1800	230/460	L182LP10	1.15	7.8/3.9	89.5	V833	\$2,058	G6-7VIL	N	76	1272	18.18	CI
5	3600	230/460	L184LP10	1.15	12.4/6.2	90.2	V825	\$2,608	G6-7VIL	N	101	1014	18.18	CI
5	1800	230/460	L184LP10	1.15	12.8/6.4	89.5	V834	\$2,236	G6-7VIL	N	101	1272	18.18	CI
7.5	3600	230/460	L213LP10	1.15	17.2/8.6	90.2	V826	\$2,906	G6-7VIL	N	200	860	22.34	CI
7.5	1800	230/460	L213LP10	1.15	18.0/9.0	91.0	V835	\$2,852	G6-7VIL	N	200	1075	22.34	CI
10	3600	230/460	L215LP10	1.15	22.4/11.2	91.0	V827	\$3,208	G6-7VIL	N	220	860	22.34	CI
10	1800	230/460	L215LP10	1.15	24.0/12.0	91.0	V836	\$3,138	G6-7VIL	N	220	1075	22.34	CI
15	3600	230/460	L254LP10	1.15	34.6/17.3	91.7	V828	\$3,628	G6-7VIL	N	315	1076	27.33	CI
15	1800	230/460	L254LP10	1.15	36.6/18.3	92.4	V837	\$3,816	G6-7VIL	N	315	1340	22.34	CI
20	3600	230/460	L256LP10	1.15	45.8/22.9	91.7	V829	\$4,078	G6-7VIL	N	350	1076	27.33	CI
20	1800	230/460	L256LP10	1.15	48.0/24.0	92.4	V838	\$4,246	G6-7VIL	N	350	1348	27.33	CI
25	3600	230/460	L284LP10	1.15	55.8/27.9	92.4	V830	\$4,562	G6-7VIL	N	460	1316	31.66	CI
25	1800	230/460	L284LP10	1.15	58.2/29.1	93.6	V839	\$4,836	G6-7VIL	N	460	1639	31.66	CI
30	3600	230/460	L286LP10	1.15	67.2/33.6	92.4	V831	\$4,920	G6-7VIL	N	510	1316	31.66	CI
30	1800	230/460	L286LP10	1.15	69.0/34.5	93.6	V840	\$5,324	G6-7VIL	N	510	1639	31.66	CI
40	3600	230/460	L324LP16	1.15	98.8/49.4	93.0	V832	\$9,420	G6-7VIL	N	650	2329	41.07	CI, 92
40	1800	230/460	L324LP16	1.15	98.8/49.4	93.6	V841	\$8,534	G6-7VIL	N	730	2883	41.07	CI, 92

Notes:

- CI Cast Iron
- 92 Oil lubrication upper and lower bearings

Vertical
Solid Shaft Inline Pump
TEFC—Severe Duty

Dimensions



7.10

Vertical Inline

Frame	Dimensions in Inches							
	High Thrust VP Shaft			Inline LP Shaft			AG	
	U	EU	AH	U	EU	AH	WPI	TEFC
L182/L184	1.125	0.875	2.75	1.125	0.875	2.75	14.69	15.67
L213/L215	1.125	0.875	2.75	1.625	1.250	2.75	16.55	23.60
L254/L256	1.125	0.875	2.75	1.625	1.250	2.75	20.93	28.25
L284/L286	1.125	0.875	2.74	2.125	1.750	4.50	23.00	30.50
L324/L326	1.625	1.250	4.50	2.125	1.750	4.50	36.93	36.99
L364/L365	1.625	1.250	4.50	2.125	1.750	4.50	40.28	40.88
L404/L405	1.625	1.250	4.50	2.125	1.750	4.50	45.30	46.56
L444/L445	2.125	1.750	4.50	2.125	1.750	4.50	42.86	53.40
L449	2.125	1.750	4.50	2.125	1.750	4.50	51.36	61.90

Notes:

Inline motors are only available in TEFC construction

Fire Pump Motor

Standard Features



HP Range	20-200
Poles	2, 4
Voltage	230/460, 460
Agency Approvals	UL - Component and Insulation System Recognition, CSA - Motors and C-390
Altitude	3300 ft
Ambient	40°C
Balance/Vibration	0.150 in/sec max
Bearing Caps	284TS-286TS and 324-445
Bearing Type	Ball, 184T-286T Shielded; 284TS-286TS and 324-445 Open
Conduit Box	Stamped Steel, rotatable
Efficiency	EPAAct through 150HP
End Shield	Cast Iron
Fasteners	Metric, ISO 8.8
Frame Material	Cast Iron
Frame Size	254T - 445T
Frequency	60
Grease	254T-286T: Multitemp Lithium, 284TS-286TS and 324-445: Polyurea
Ground	Brass Bolt in Conduit Box
Insulation Class	F
Insulation System	Non-Hygroscopic, Anti-Fungus, meets NEMA MG1-31
Inverter Capabilities	N/A
L10 Bearing Life	Direct Coupled: 65,000 hrs, Belted: 25,000 hrs
Lifting Means	Eye Bolt
Mounting	F1
Mounting Holes	2 per foot
Nameplate	Stainless Steel
NEMA Design	B
Paint	Gray, Polyurethane
Relubrication	284TS-286TS and 324-445
Rotor	Cast Aluminum
Service Factor	1.15
Temperature Rise	80°C @ 1.0SF
Tests	NEMA Routine, IEE112B
Time Rating	Continuous
Warranty	12 months from date of installation or 18 months from date of manufacture, whichever occurs first

Fire Pump Motor
Open Dripproof

Pricing

Volts: 230/460, 460
HP: 5-200



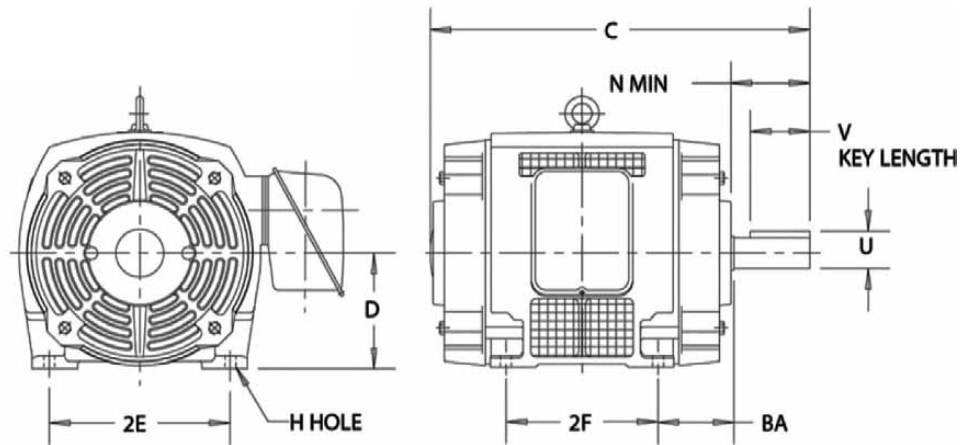
HP	RPM	Volts	Frame	FLA	Nom. Eff.	Cat. No.	List Price	Price Symbol	Norm. Stk.	Wt. (lbs)	C Dim. (In.)	Notes
20	3600	230/460	254T	45.4/22.7	90.2	S3620	\$1,913	G4-7DEF	N	260	20.45	130
20	1800	230/460	256T	47.4/23.7	91.0	S3605	\$1,907	G4-7DEF	N	310	22.40	124
25	3600	230/460	256T	56.4/28.2	91.0	S3621	\$2,240	G4-7DEF	N	307	22.19	130
25	1800	230/460	284T	59.8/29.9	91.0	S3606	\$2,237	G4-7DEF	N	394	23.82	124
30	3600	230/460	284T	68.7/34.3	91.0	S3622	\$2,490	G4-7DEF	N	378	23.43	130
30	1800	230/460	286T	70.6/35.3	92.4	S3607	\$2,483	G4-7DEF	N	436	25.32	124
40	3600	230/460	286T	90.5/45.2	91.7	S3623	\$2,925	G4-7DEF	N	406	24.93	130
40	1800	230/460	324T	92.6/46.3	93.0	S3608	\$2,888	G4-7DEF	N	575	26.26	124
50	3600	230/460	324T	113.2/56.6	92.4	S3624	\$4,028	G4-7DEF	N	595	26.05	130
50	1800	230/460	326T	115.6/57.8	93.0	S3609	\$3,348	G4-7DEF	N	575	27.76	124
60	3600	230/460	326T	135.8/67.9	93.0	S3625	\$4,478	G4-7DEF	N	661	27.54	130
60	1800	230/460	364TS	140.4/70.2	93.6	S3610	\$4,157	G4-7DEF	N	730	27.00	124
75	3600	230/460	364TS	165.8/82.9	93.0	S3626	\$4,946	G4-7DEF	N	674	27.00	130
75	1800	230/460	365TS	173.4/86.7	94.1	S3611	\$5,018	G4-7DEF	N	838	28.00	124
100	3600	230/460	365TS	220.1/110.0	93.0	S3627	\$6,390	G4-7DEF	N	763	28.00	130
100	1800	230/460	404TS	228.0/114.0	94.1	S3612	\$6,413	G4-7DEF	N	1045	30.10	124
125	3600	230/460	404TS	283.0/141.7	93.6	S3628	\$7,572	G4-7DEF	N	1031	30.10	130
125	1800	230/460	405TS	278.0/139.0	94.5	S3613	\$7,652	G4-7DEF	N	1225	31.60	124
150	3600	460	405TS	168.5	93.6	S3629	\$9,525	G4-7DEF	N	1124	31.60	131
150	1800	460	444TS	167.0	95.0	S3614	\$10,058	G4-7DEF	N	1430	33.95	125
200	3600	460	444TS	219.3	94.5	S3630	\$14,025	G4-7DEF	N	1510	33.95	131
200	1800	460	445TS	220.0	95.0	S3615	\$13,184	G4-7DEF	N	1610	35.95	125

Notes:

- 124 Usable on 190/380V, 50Hz, same HP at 1.0 service factor
- 125 Usable on 380V, 50Hz, same HP at 1.0 service factor
- 130 Usable on 190/380V, 50Hz, next lower HP at 1.15 service factor
- 131 Usable on 380V, 50Hz, next lower HP at 1.15 service factor

Fire Pump Motor
Open Dripproof

Dimensions



NEMA Frame	D	2E	2F	BA	H	N Min.	U	V Min.	Key Width	Key Thickness	Key Length
184T	4.50	7.5	5.50	2.75	0.41 Dia.	2.75	1.12	2.50	0.25	0.25	1.75
213T	5.25	8.5	5.50	3.50	0.41 Dia.	3.38	1.38	3.12	0.31	0.31	2.38
215T	5.25	8.5	7.00	3.50	0.41 Dia.	3.38	1.38	3.12	0.31	0.31	2.38
254T	6.25	10.0	8.25	4.25	0.53 Dia.	4.00	1.62	3.75	0.38	0.38	2.88
256T	6.25	10.0	10.00	4.25	0.53 Dia.	4.00	1.62	3.75	0.38	0.38	2.88
284T	7.00	11.0	9.50	4.75	0.53 Dia.	4.62	1.88	4.38	0.50	0.50	3.25
286T	7.00	11.0	11.00	4.75	0.53 Dia.	4.62	1.88	4.38	0.50	0.50	3.25
324T	8.00	12.5	10.50	5.25	0.66 Dia.	5.25	2.12	5.00	0.50	0.50	3.88
326T	8.00	12.5	12.00	5.25	0.66 Dia.	5.25	2.12	5.00	0.50	0.50	3.88
364TS	9.00	14.0	11.25	5.88	0.69 Dia.	3.75	1.88	3.50	0.50	0.50	2.00
365TS	9.00	14.0	12.25	5.88	0.69 Dia.	3.75	1.88	3.50	0.50	0.50	2.00
404TS	10.00	16.0	12.25	6.62	0.81 Dia.	4.25	2.12	4.00	0.50	0.50	2.75
405TS	10.00	16.0	13.75	6.62	0.81 Dia.	4.25	2.12	4.00	0.50	0.50	2.75
444TS	11.00	18.0	14.50	7.50	0.81 Dia.	4.75	2.38	4.50	0.62	0.62	3.00
445TS	11.00	18.0	16.50	7.50	0.81 Dia.	4.75	2.38	4.50	0.62	0.62	3.00

Notes:

"C" Dimension is overall length and is shown for each catalog number on rating pages. All dimensions in inches.
All dimensions are nominal. Request factory outlines for exact dimensions.

