

9.0 Definite Purpose

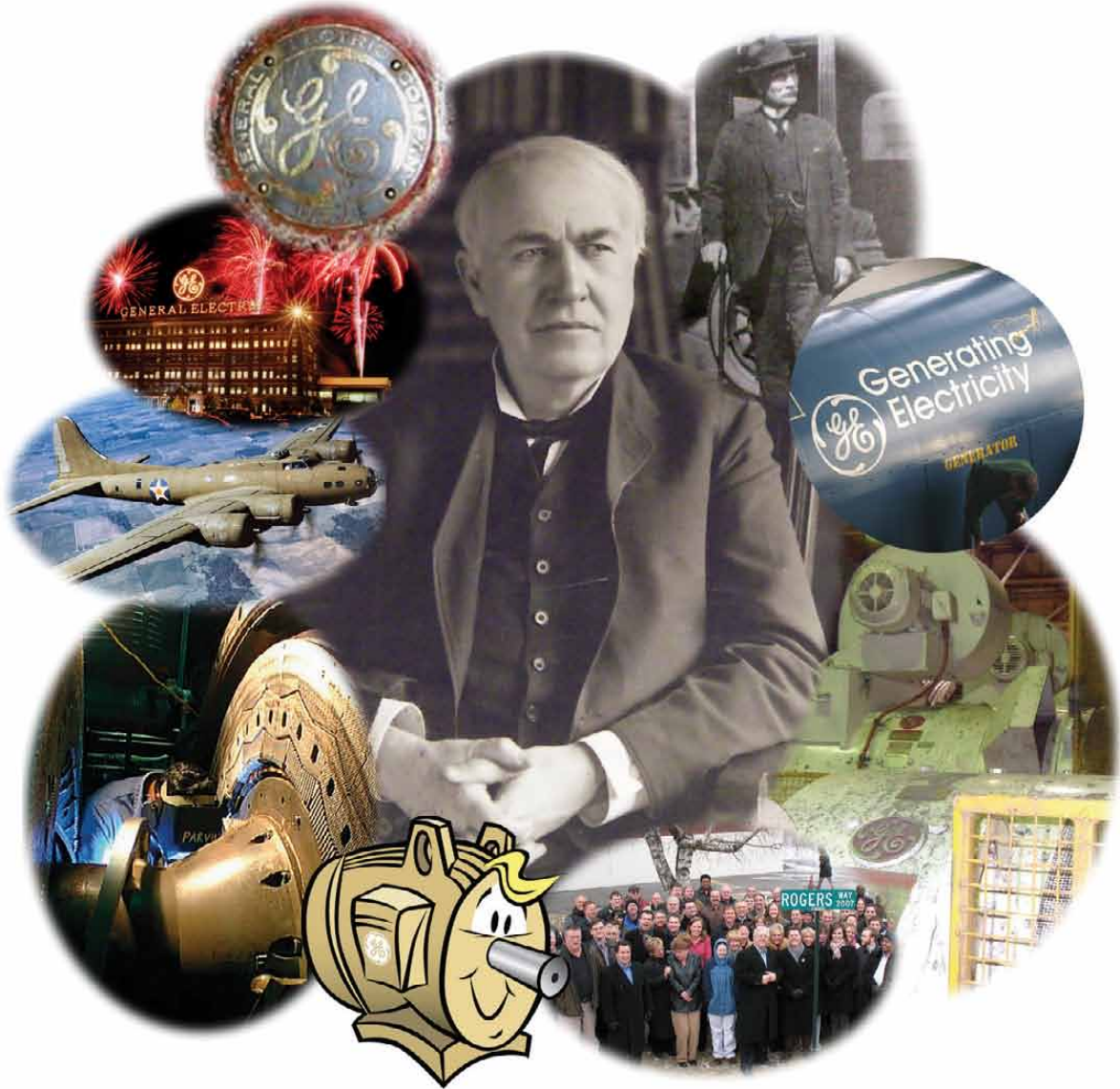


9.1 Farm Duty

9.1 Pricing

9.1 Dimensions





Celebrating over 100 years of the GE motors business!
Founded 1911 in Fort Wayne, Indiana

Definite Purpose

Farm Duty

Pricing



High Torque - Capacitor Start - Totally Enclosed Fan Cooled

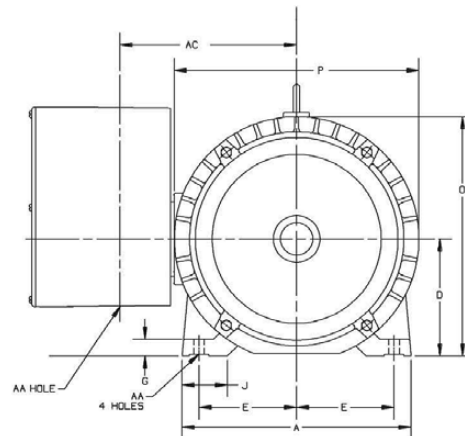
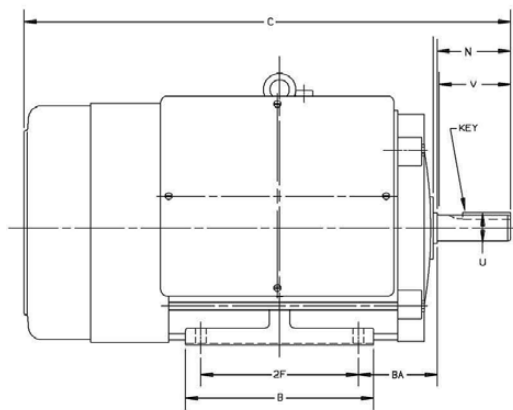
HP	RPM	Volts	Frame	SF	PROT	Base	FLA	Cat. No.	List Price	Price Symbol	Norm. Stk.	Wt. (lbs)	C Dim. (in.)	Notes
2	1800	230	182TZ	1.15	Man	WB	11	F787	\$714	G4-7FAZ	N	79	17.01	CI
3	1800	230	184TZ	1.15	Man	WB	15.5	F789	\$777	G4-7FAZ	Y	95	18.26	CI
5	1800	230	184TZ	1.15	Man	WB	22	F792	\$902	G4-7FAZ	Y	103	18.7	CI

Extra High Torque - Capacitor Start - Totally Enclosed Fan Cooled

HP	RPM	Volts	Frame	SF	PROT	Base	FLA	Cat. No.	List Price	Price Symbol	Norm. Stk.	Wt. (lbs)	C Dim. (in.)	Notes
1.5	1800	115/230	145T	1	Man	Ftd	22.0/11.0	F836	\$548	G4-7FAZ	N	65	15.8	CI
2	1800	230	182TZ	1.15	Man	Ftd	14	F786	\$743	G4-7FAZ	Y	77	17.01	15, CI
3	1800	230	184TZ	1.15	Man	Ftd	21	F788	\$842	G4-7FAZ	Y	92	18.26	16, CI
5	1800	230	215TZ	1.15	Man	Ftd	22.6	F791	\$1,148	G4-7FAZ	Y	143	21.6	14, CI
5	1800	230	184TZ	1.15	Man	Ftd	30	F790	\$998	G4-7FAZ	Y	103	18.7	12, CI
7.5	1800	230	215TZ	1.15	Man	Ftd	36	F793	\$1,500	G4-7FAZ	Y	178	21.6	14, CI
7.5	1800	230	215TZ	1.15	Man	Ftd	36	F798	\$1,500	G4-7FAZ	N	178	21.97	CI
10	1800	230	215TZ	1	Man	Ftd	48	F795	\$1,800	G4-7FAZ	Y	183	21.97	13, CI
10	1800	230	215TZ	1	Man	Ftd	48	F794	\$1,800	G4-7FAZ	Y	183	21.6	14, CI

Notes:

- CI Cast Iron
- 12 Shaft extension 3 7/16" long by 1 1/8" diameter
- 13 Shaft extension 3 5/8" long by 1 3/8" diameter
- 14 Shaft extension 3 1/4" long by 1 1/8" diameter
- 15 Shaft extension 2 3/4" long by 7/8" diameter
- 16 Shaft extension 3" long by 1 1/8" diameter



Dimensions

Frame	Key Length	N-W	V	U	E	2F	A	B	BA	AC	D	G	J	O	P
143	1.38	1.88	-	6.25	2.44	3.00	6.28	5.00	2.75	4.53	3.50	0.16	1.53	7.13	7.26
145	1.38	2.25	2.20	-	2.75	5.00	6.70	5.90	2.25	4.92	3.50	0.35	-	7.45	7.87
182	1.78	2.75	2.70	1.13	3.75	4.50	8.80	5.90	2.75	5.99	4.50	0.65	1.75	9.20	9.40
184	2.00	3.00	2.70	1.13	3.75	5.50	8.80	6.90	2.75	5.99	4.50	0.65	1.75	9.20	9.40
215	1.50	3.25	3.17	1.13	4.25	7.00	9.85	8.35	3.50	7.75	5.25	0.70	1.75	10.63	10.75

